

Product: SNACK AND SHOP ISLAND

Snack and Shop island: several purposes in a single composition, with a large More table D140 (55''1/8) / D160 (63'') + H90 (35''3/8) that can be combined with different equipments. On one side the meeting area, with a large choice of finishes for the top and on the other side a snack break zone.

An etched glazed screen divides the two areas.

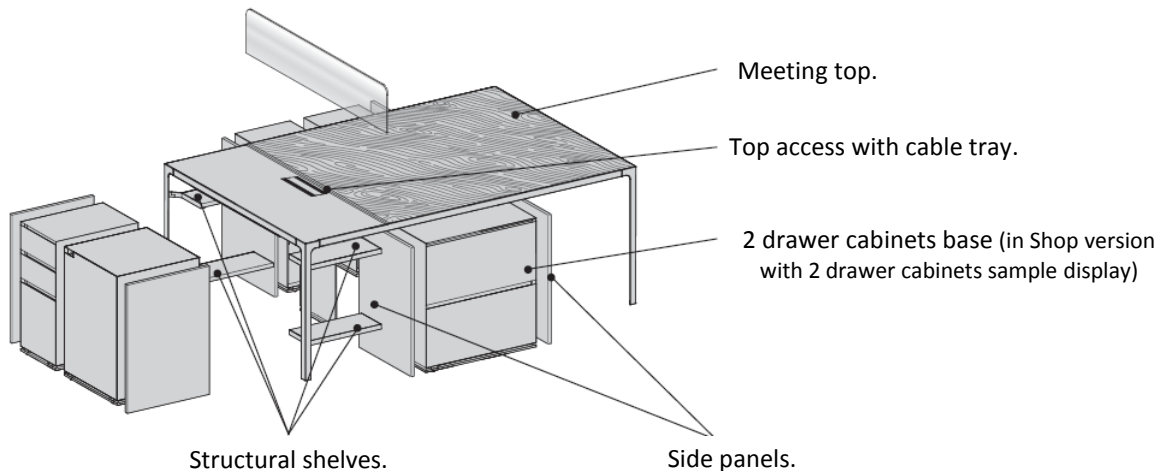
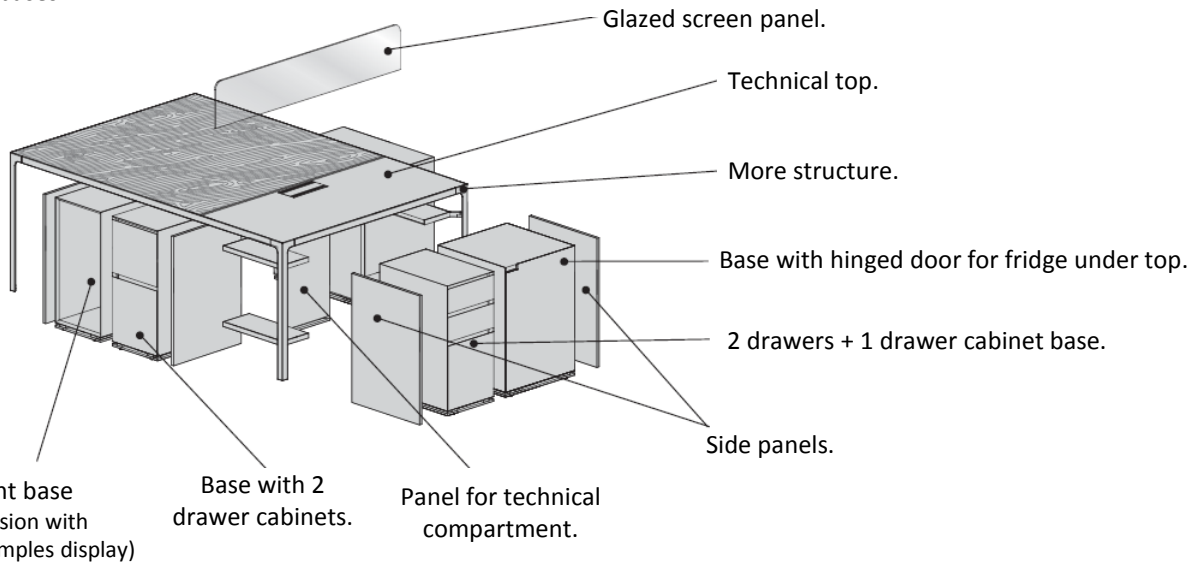
Small appliances, such as coffee machines, water dispensers, hobs, sinks with mixer, fridges and a compact oven can be installed in the technical niches, where there are also storages and ecoDrawer cabinets.

There are also small hanging modules, drawers and trays designed to answer to specific design and business needs, where you can welcome and present products and projects, in a easy accomodation.



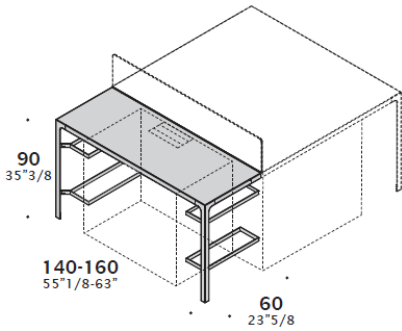
ELEMENTS

Under the meeting top, are always included at least two face-to-face bases.



DIMENSIONS

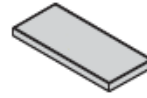
Task high table for storage units.



Integrated with top access.

Top finishes:
Laminate, Stainless steel,
Ceramic, Back-lacquered
etched glass.

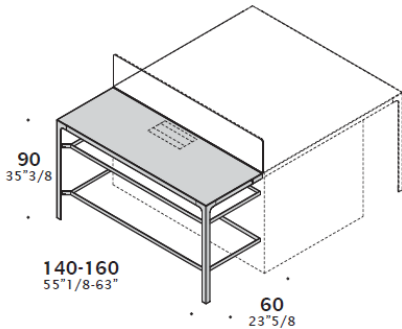
4 shelves for high table.



Shelves finishes:
Melamine, Laminate,
Sablé lacquered, Veneer,
Ceramic.

W 30 (11 3/4) - D 60 (23 5/8) - th. 3 cm (1 1/8)

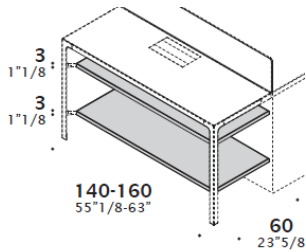
Task high table for shelves.



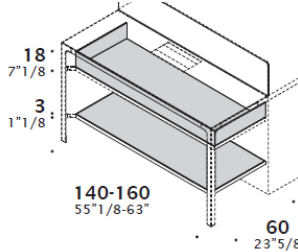
Top and top access finishes:
Laminate, Stainless steel, Ceramic,
Back-lacquered etched glass.

Shelves and carter finishes:
Melamine, Laminate, Sablé
lacquered, Veneer, Ceramic.

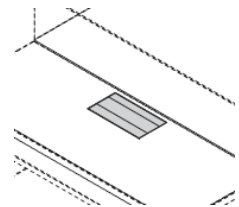
Two shelves.



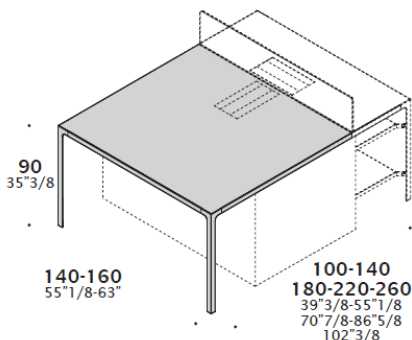
Two shelves and carter.



Top access.



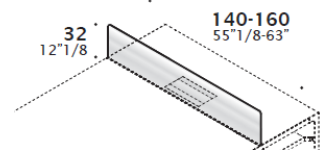
Meeting More table.



Options:
All shown size combinations are
available.

Top finishes:
Melamine, Laminate, Sablé
lacquered, Veneer, Ceramic, Back-
lacquered etched glass.

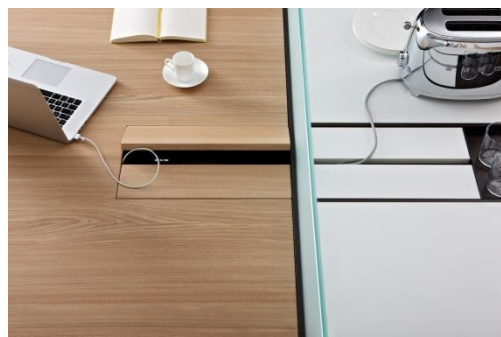
Screen panel.



Finishes:
Back-lacquered etched glass.

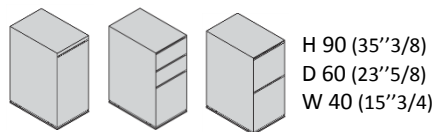
FINISHES**Task tables with storage units or shelves:****Tops and top access:****Laminate:** White Snow, Oak, White Fenix.**Stainless steel.****Ceramic:** Calacatta Soft, Calacatta Glossy, Statuario Soft, Statuario Glossy, Walks 1.0 White, Walks 1.0 Gray, Le Roche Ecrù, Ardoise Ecrù, Ardoise Noir, Nero Marquinia, Le Roche Grey, Industrial Ivory, Industrial Plomb.**Back-lacquered etched glass:** White, Silver, Titanio, Brown, Alfa Red.**W30 side shelves and shelves with carter:****Melamine:** UE White, Silver, Titanio, Delavè, Comfort, White Snow, Magnolia, Oak 2017, Eucalyptus, White Colour Fir.**Laminate:** see finishes for tops.**Sablè lacquered,** available in different sample collection colours.**Veneer:** Magnolia, White Colour Fir, Nuvola stained Oak, Natural Oak 2016, American Walnut, Eucalyptus, Wengè, Zebrano Brown, Ebano.**Ceramic:** see finishes for tops.**Structures:****Powder coated metal:** glossy or matt White Snow, glossy UE White, glossy Silver, matt Titanio, matt Green Black, matt Brown, matt Carbon Glacè, glossy Alfa Red.**Luxury metal:** Chromed, glossy Nickel Black, matt Bronze, matt Brass, matt Antique Brass, Pewter Quarz, Brunished Cobalt.**Meeting More table:****Top:****Melamine:** see above, finishes for shelves.**Laminate:** White Snow, Oak, White Fenix.**Sablè lacquered,** available in different sample collection colours.**Veneer:** see above, finishes for shelves.**Ceramic:** see above, finishes for tops.**Back-lacquered etched glass:** White, Silver, Titanio, Brown, Alfa Red.**Structure:****Powder coated metal:** see above, finishes for structures.**Luxury metal:** see above, finishes for structures.**Screen panel:****Back-lacquered etched glass:** see above, finishes for tops.

Details.

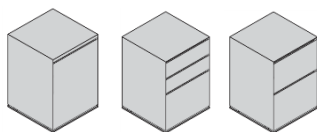


BASES AND ACCESSORIES

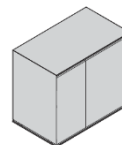
Finishes: Melamine, Sablé lacquered, Veneer.



H 90 (35''3/8)
D 60 (23''5/8)
W 40 (15''3/4)



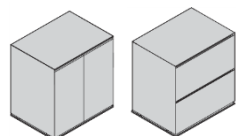
H 90 (35''3/8)
D 60 (23''5/8)
W 60 (23''5/8)



H 90 (35''3/8)
D 60 (23''5/8)
W 100 (39''3/8)

Hinged door / 2 drawers + 1 drawer cabinet / 2 drawer cabinets

Hinged doors

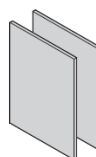


H 90 (35''3/8)
D 60 (23''5/8)
W 80 (31''1/2)

Hinged door / 2 drawer cabinets

SIDE PANELS for bases

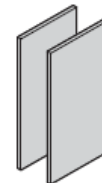
To be included in compositions with one or more bases.



PANELS FOR COMPARTMENT For two face-to-face bases.



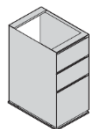
W20 (7''7/8)



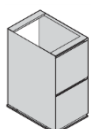
W40 (15''3/4)

TECHNICAL BASES AND ACCESSORIES

Finishes: Melamine, Sablé lacquered, Veneer

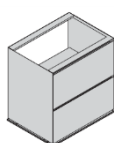


For cooker.

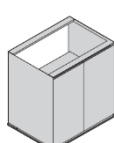


For cooker and sink.

H 90 (35''3/8)
D 60 (23''5/8)
W 40 (15''3/4)



For cooker.

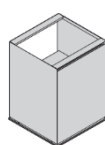
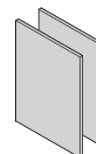


For cooker and sink.

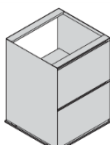
H 90 (35''3/8)
D 60 (23''5/8)
W 80 (31''1/2)

SIDE PANELS for technical bases

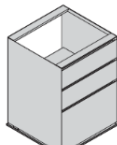
To be included in compositions with one or more bases.



For cooker and sink.



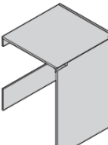
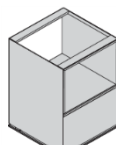
For cooker.



For dishwasher and oven.



For compact oven and micro fridge drawer.

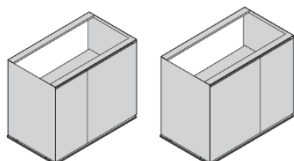


For fridge.



Door for fridge, dishwasher, micro fridge drawer.

H 90 (35''3/8) - P 60 (23''5/8) - L 60 (23''5/8)



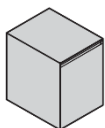
For cooker and sink.

H 90 (35''3/8)
D 60 (23''5/8)
W 100 (39''3/8)

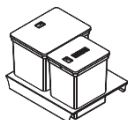
ACCESSORIES FOR ISLAND

Storage units.

(melamine, lacquered, veneer)



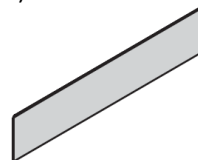
W46 - D44,5 - H46,5
(18"1/8 - 17"1/2 - 18"1/4)



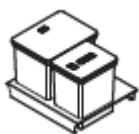
Dustbin set.

Screen panel.

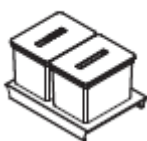
(laminate, Stainless steel, ceramic, back-lacquered etched glass)



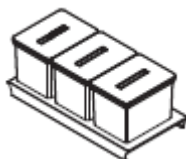
Dustbin set for drawer cabinets.



W40 (15"3/4)

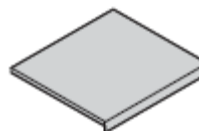


W60 (23"5/8)

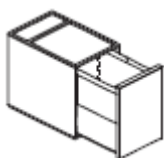


W80 (31"1/2)

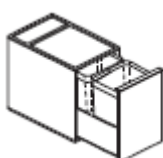
Drawer cover.



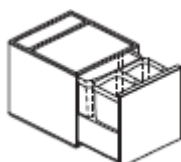
Dustbin set for hinged door.



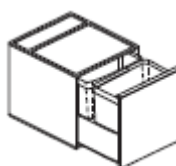
21 LT



10 + 10 LT

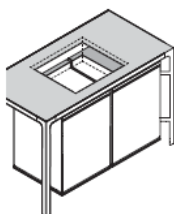
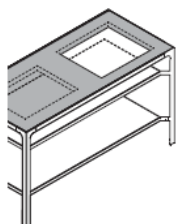


10 + 10 + 16 LT

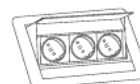


16 + 21 LT

Hole for appliances arrangement.



Electrification.



BASES, TECHNICAL BASES AND SPECIAL BASES FINISHES

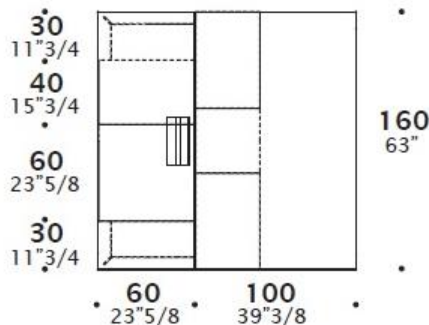
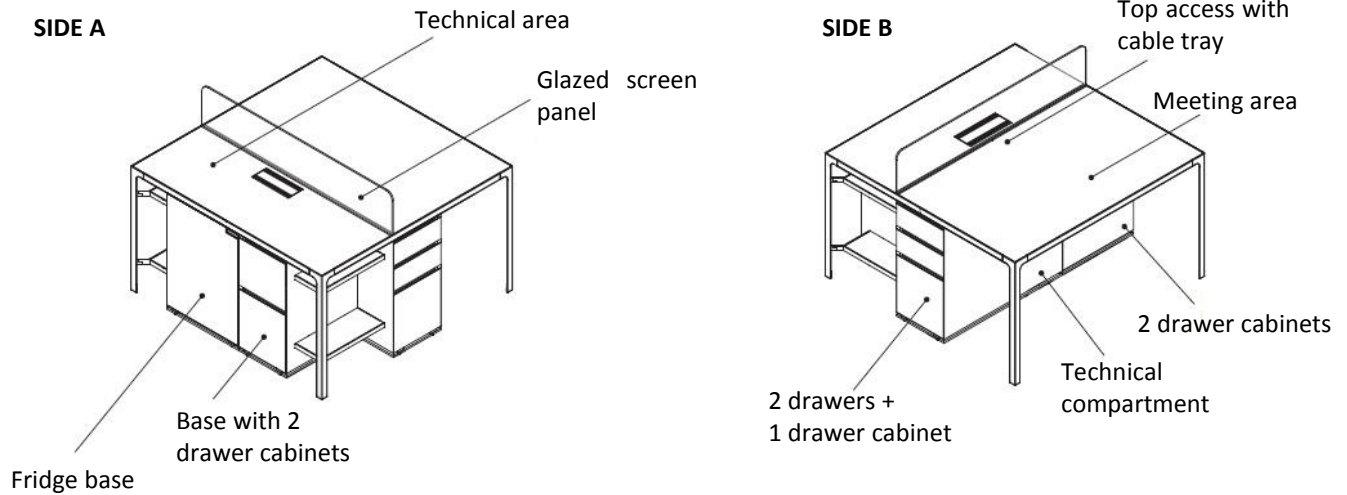
Structures:

Melamine: UE White, Silver, Titanio, Delavè, Comfort, White Snow, Magnolia, Oak 2017, Eucaslyptus, White Colour Fir.

Sablè lacquered, available in different sample collection colours.

Veneer: Magnolia, White Colour Fir, Nuvola satined Oak, Natural Oak 2016, American Walnut, Eucalyptus, Wengè, Zebrano Brown, Ebano.

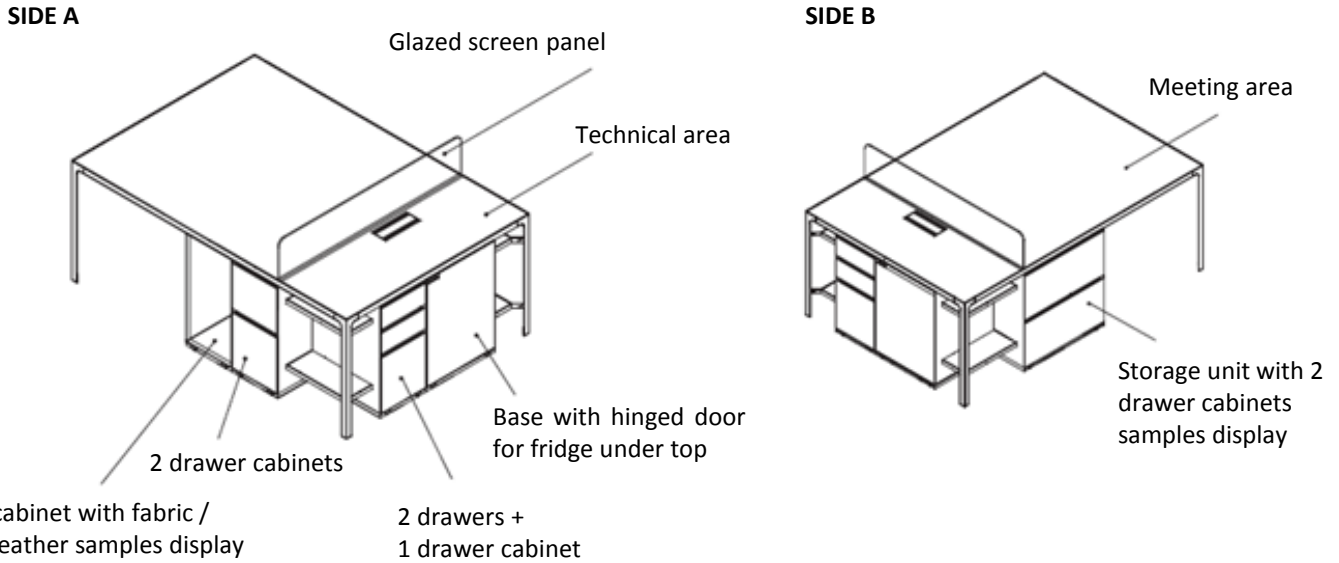
SNACK ISLAND COMPOSITION EXAMPLE



Allowance for storage units in W140 compositions is 80 cm (31¹/₂).
Refridgerator is not included.



SHOP ISLAND COMPOSITION EXAMPLE

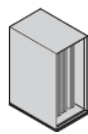


SPACIAL BASES FOR SHOP ISLAND

Melamine, Sablè lacquered, Veneer.



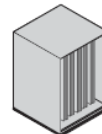
2 drawer cabinets with sample display



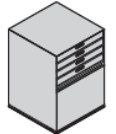
Open compartment with fabric/leather sample display



2 drawer cabinets with samples display



Open compartment with fabric/leather samples display



Mood trays

H 90 (35''3/8) - D 60 (23''5/8) - W 40 (15''3/4)

H 90 (35''3/8) - D 60 (23''5/8) - W 60 (23''5/8)



H 90 (35''3/8) - D 60 (23''5/8) - W 80 (31''1/2)

2 drawer cabinets with samples display